



No step-free access at station any time soon

Reader Harriet Copperman got in touch to tell us about some correspondence she'd had after asking Transport for London (TfL) whether East Finchley tube station will ever be fitted with step-free access to the platforms.

Harriet told us: "When I asked TfL staff, one of the responses was we could go to Finchley Central if we needed step-free access and another was that as there is a sort of platform half way up the stairs at East Finchley that means people with mobility difficulties can take a rest there if they need to."

A question for the Mayor

Not surprisingly, Harriet wasn't impressed with these answers. She asked London Assembly member Andrew Dismore if he could raise the issue more formally with the Mayor of London, which he did in a written question.

In December 2016, Sadiq Khan announced a £200m programme to provide step-free access at around 30 stations over the next five years, and by 2022 Transport for London (TfL) aims to make 40 per cent of the tube network step-free.

... and the answer

The response to Mr Dismore's question from Mr Khan's

office revealed that a scheme to install lifts at East Finchley had indeed been considered but ruled out as too expensive.

The Mayor stated: "Transport for London has carried out a high-level investigation into installing lifts at East Finchley. It has indicated that the scheme would involve installing two lifts into a listed building, and the layout of the station means that the worksite would be significantly constrained."

"Furthermore, the scheme would involve excavating under the tracks and this would result in a high level of disruption to both the station and the train service. Due to the complexity of this project and therefore high estimated cost, in the region of £15m to £20m, East Finchley is not being considered as part of the £200m five-year programme."

As Harriet herself says, it's not particularly good news for tube travellers with mobility problems, but at least we have a straight answer.

First winter fair of the season

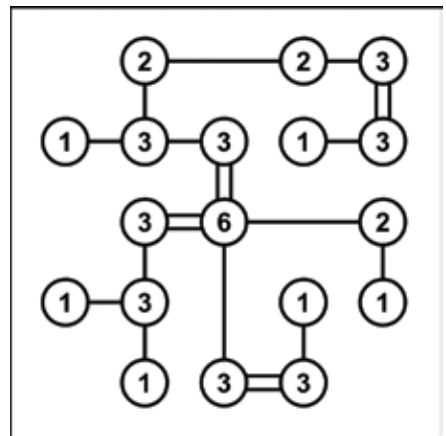
It's now 10 years since the Combat Stress Winter Fair started with a 'coffee and rummage sale' in a small Hampstead Garden Suburb kitchen. Thanks to the many table holders, supporters, volunteers and the local community, the fair has expanded into the much larger Free Church Hall, in Northway, NW11 6PB.

Nowadays the fair raises up to £5,000 in aid of much-needed outreach programmes run by Combat Stress for armed services veterans with mental health issues to help them fit back into daily life with their families.

This year's fair on Saturday 28 October will be opened by former journalist and MP Martin Bell at 10am and runs till 3pm. There will also be cakes, a raffle, tombola, plants, Combat Stress Christmas cards and gifts, as well as hand-made chocolates, jewellery and gifts, local honey, olive oil and panettone, collectables and lots more.

There is free parking in the surrounding streets, and the H2 bus passes the door, or catch the 102 bus from East Finchley to The Market Place, Fal-loden Way, and walk up Northway.

Headscratcher solution



There is free parking in the surrounding streets, and the H2 bus passes the door, or catch the 102 bus from East Finchley to The Market Place, Fal-loden Way, and walk up Northway.

East Finchley Baptist Church
Just off the High Road in Creighton Avenue N2

Sunday Mornings at 10.30 am
Crèche and Sunday School during service
Wheelchair access

For more information please contact the Church Office
Tel: 8883 1544 (Minister: Simon Dyke)
www.eastfinchleybc.org.uk

Visitors always welcome

Letters

Blight not right

Dear Editor,

I was disappointed to read comments from Larry Lipman regarding the nature of GLH's business, stating we were a "blight" on the local neighbourhood (*The Archer*, September 2017).

For the record, for nearly 50 years, GLH had an excellent relationship with our neighbours in East Finchley and we still have many links with the N2 community through employees and customers who reside there and our ongoing relationship with the Archer Academy of which we are very proud.

As a resident of East Finchley, I sincerely hope the development proposed by Mr Lipman's company serves the community equally well and I am particularly hopeful that enough parking space will be ensured for both able-bodied and disabled drivers.

Yours faithfully,
Robert Scott,
Managing Director, GLH.

Respect for foxes

Dear Editor,

I am writing to ask that people show tolerance and understanding towards foxes. I have been feeding foxes for five years, starting with Martin who traversed our garden each night. He disappeared.

I then had Francis, a very sweet and gentle fox, who was sitting on my lawn one morning asking for food. She soon arrived with Bertha, a full-of-energy and cheeky cub. Then Big Dog arrived, a very friendly, large and loveable old dog fox.

One day Francis and Big Dog stopped coming. I heard some people in a next door road wanted to get rid of foxes in the area. Bertha has since returned with two cubs.

Foxes are timid by nature, respectful and nervous, especially of cats. They are faced with many problems; bad diet causes mange that literally eats them alive. They suffer greatly and die within four months. As they love anything sweet, particularly honey, a fox sick with mange can be treated with homeopathic medicines tucked into a honey sandwich.

People are generally in ignorance about the fox, its nature and ways but it enriches my life supporting wildlife. Mahatma Gandhi designed a system under the title Sarvodaya in which all animals, insects, plants, forests, mountains, rivers as well as humans have intrinsic value. Gandhi never called himself an environmentalist yet his idea of Sarvodaya expounded a need for respecting the earth and to keep reverence for all life.

Yours faithfully,
Primrose Chamberlin,
Leicester Road, N2.



Can you identify this bee species?

Unidentified flying object

Dear Editor,

I am a young resident of East Finchley and a very keen photographer. I recently spotted a very large bee, pictured, close to one inch in length, buzzing among the N2 Community Garden by the station and have been avidly trying to identify it, with no success!

I've looked up all the common and uncommon bee species found in the UK and cannot find one which has the same markings: a fine-haired tail, a smooth black thorax, large eyes and non-hairy legs.

I was wondering if anyone reading this would be able to help me identify the species?
Yours faithfully,

Louisa Green,
Address supplied.

Editor's note: Please email the-archer@lineone.net or leave a message on our free phone line 0800 612 0748 if you can help Louisa.

Post Office protest

Dear Editor,

It does not seem long ago that we in East Finchley were suffering with the constant moaning and protesting about the closure of the Post Office in the High Road. We were warned that, should it become a concession in another store, service levels would drop and jobs would be cut. Well, here we are two or three years later and as a regular user of the Post Office at UOE I can state with authority that I have never had to wait for more than four minutes, all

Send your correspondence to: "Letters Page" The Archer, PO Box 3699, London N2 2DE or e-mail the-archer@lineone.net.

the staff are efficient, helpful and friendly and the shop environment is clean, bright and simple.

It is pretty much the exact opposite to what the old Post Office experience was like with the miserable decor, grumpy staff and long slow queues. So to those protesters who recently held their banners and sang their songs outside UOE East Finchley regarding the closure of Muswell Hill and Crouch End Post Offices, instead of annoying people by blocking the pavement, try to actually go into the store, look around and try out the service. You never know, you might come to realise how much better it can be!

Yours faithfully,
Damien Bamber,
Fairlawn Avenue, N2.

I was barred from voting

Dear Editor,

I must strongly endorse the criticisms of the management of the issuing of ballots for the recent General Election made by East Finchley residents (*The Archer*, July 2017).

I suffered ill health following the sudden and totally unexpected death of my wife and was obliged, on medical advice, to move from my house in Manor Park Road to sheltered accommodation in North Finchley.

I notified the Barnet electoral office of the situation. They cancelled my vote in East Finchley but did not reinstate it in North Finchley. I was therefore barred from voting.

I was especially galled by this as I had voted at every election since I received the vote in the early 1960s. I had been a councillor for East Finchley for 12 years, leader of our party group and Parliamentary candidate for the Finchley constituency.

Yours faithfully,
John Davies,
Friern Watch Avenue, N12.

All Saints' Church, Durham Road, East Finchley Church of England

Sunday mass at 10.00 a.m.
Weekday masses at 10.00 a.m.
(11.00 a.m. on Wednesdays during term time)
(Coffee served after mass on Sunday and Thursday)

Join us
on Wednesday 1 November at 8.00 p.m.
for our Feast of Title: All Saints' Day
Preacher: Fr Marius Mirt
(followed by wine and refreshments)

The Parish has a *flourishing* social life.

All Saints' also has a strong musical tradition and an enthusiastic choir.
New singers are always welcome.

Contact the Vicar, Fr Christopher Hardy, on 020 8883 9315.

<http://www.allsaints-eastfinchley.org.uk>

A Local Handyman

available for general household & garden maintenance.

No Job Too Small

Free Estimates

Call John on: 0789 010 3831
or: 0208 883 5325